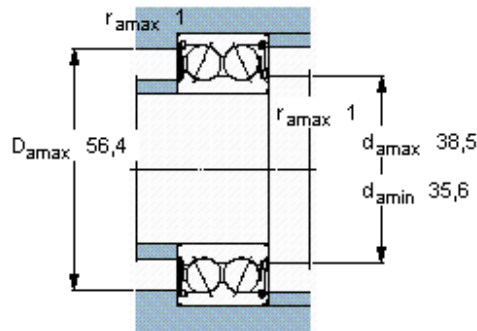
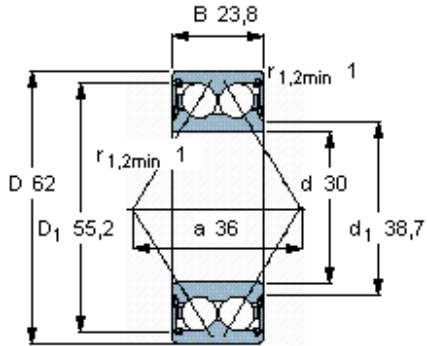


Angular contact ball bearings, double row

Principal dimensions			Basic load ratings		Speed ratings		Designation
d	D	B	dynamic C	static C0	Reference speed	Limiting speed	
mm			kN		r/min		* SKF Explorer bearing
30	62	23,8	30	20,4	-	7500	3206 A-2RS1TN9/MT33 *



Calculation factors

$k_r = 0,06$
 $e = 0,8$
 $X = 0,63$
 $Y_1 = 0,78$
 $Y_2 = 1,24$
 $Y_0 = 0,66$